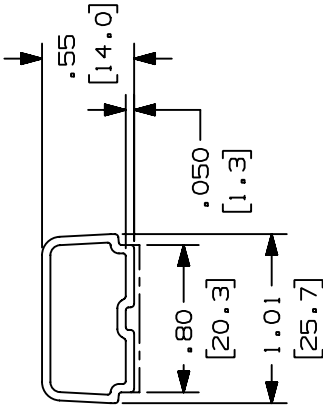


THIS COPY IS PROVIDED ON A RESTRICTED BASIS AND IS NOT TO BE USED IN ANY WAY DETRIMENTAL TO THE INTERESTS OF PANDUIT CORP.

A



ADHESIVE BACK PRESSURE SENSITIVE FOAM TAPE .040(1.0) THICK WITH PROTECTIVE LINER.

C

PART NAME	PANDUIT PART NO. (** SEE NOTE 1)	LENGTH IN. (MM)	STATIC LOAD (SEE NOTE 2)	APPROXIMATE WEIGHT
SOLID WALL DUCT	LD55**10-A	120.00 ±.12 (3048.0 ±3.0)	.43 LB/IN (7.7 g/mm)	.082 LB/FT (.112 g/mm)

B NOTES:

- SEE CURRENT CATALOG FOR ADDITIONAL PART NUMBER SUFFIXES TO INDICATE COLORS AND OR PACKAGE QUANTITY.
- PART IS DESIGNED TO SUPPORT MAXIMUM WEIGHT ON A CLEAN, DRY, SMOOTH SURFACE.
- TO APPLY PART:
 - REMOVE PROTECTIVE LINER.
 - PLACE PART IN DESIRED LOCATION.
 - APPLY PRESSURE TO FLAT SURFACE OF PART.
- DIMENSIONS IN PARENTHESES ARE IN METRIC.
- NO WARRANTY, EXPRESSED OR IMPLIED, IS MADE BY PANDUIT WITH RESPECT TO ADHESIVE BOND PERFORMANCE. THE CONDITIONS UNDER WHICH THESE RACEWAYS MAY BE APPLIED AND/OR THE SURFACE TO WHICH THEY MAY BE APPLIED ARE BEYOND PANDUIT'S CONTROL.

CAD FILENAME/LAYERS D35541CN_SOLID_LD55_02.PRT

PANDUIT

CORP. TINLEY PARK, ILLINOIS

SOLID WALL DUCT (LD55)
CUSTOMER DRAWING

REV	DATE	BY	CHK	DESCRIPTION	ECN	CHK	CUST	SUP
2	03-08-04	JHEP	RGRO	C. REMOVED PART NUMBER LD55**2-A	35541-40	RGRO		
1	09-17-98	PM	HIW	B. REVISE NOTES A. REVISE CHART: ADD 2M LENGTH	35541-40	HIW	HIW	
R	09-24-98	JBA	CEF	RELEASED TO PRODUCTION	35541-40	CEF	CEF	

UNLESS OTHERWISE SPECIFIED, DIMENSIONAL TOLERANCES ARE:		UNLESS OTHERWISE SPECIFIED, ALL DIMENSIONS ARE GIVEN IN INCHES, THIRD ANGLE PROJECTION.	
(.X) ±	(.XXX) ±.010 (.4)	SCALE	NONE
(.XX) ±.03 (.8) ANGLES ±		MAT'L:	
		DRAWN BY	JBA
		DATE	09-24-98
		CHECKED BY	CEF
		DRAWING NO.	35541-40
		DWG	A
		SIZE	